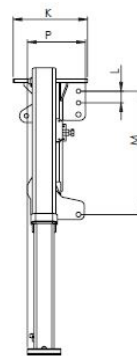
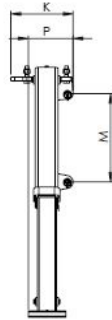
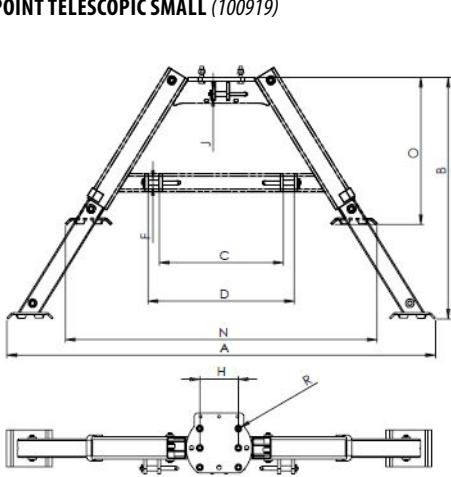


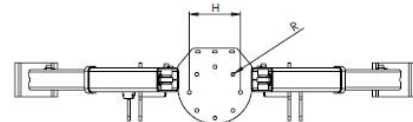
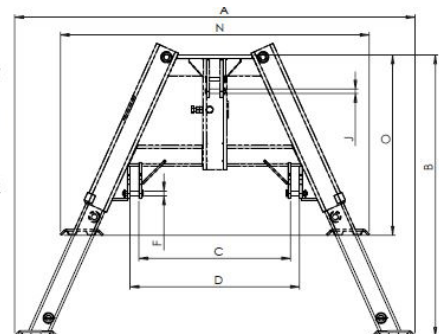
# FARMA 3-POINT FRAMES



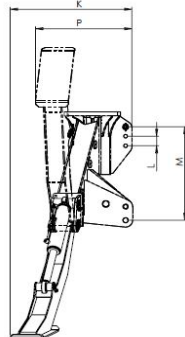
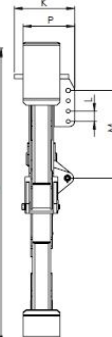
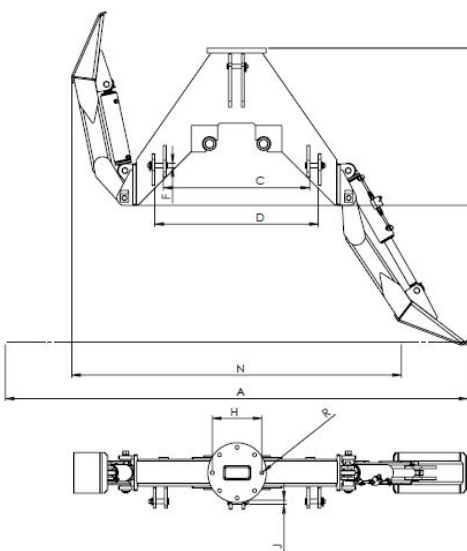
**3-POINT TELESCOPIC SMALL (100919)**



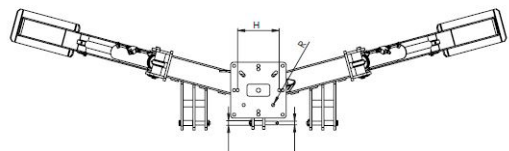
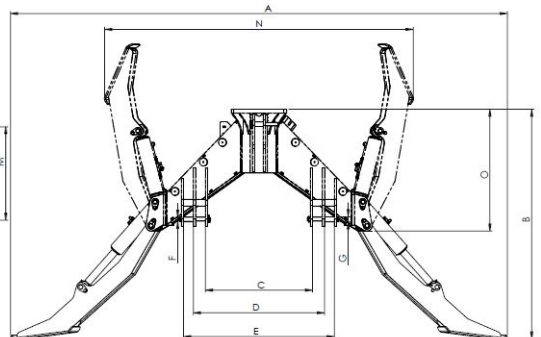
**3-POINT TELESCOPIC MEDIUM (100918)**



**3-POINT FLAP DOWN CAT 2 (100917)**



**3-POINT FLAP DOWN CAT 2/3 (100937)**



	A	B	C	D	E	F	G	H	I	J	K	L	M	N	O	P	R	COMPATIBLE WITH
<b>SMALL (100919)</b>	2315	1305	670	790	-	28	-	210	-	25	330	-	480	1685	795	240	24	FARMA C3,8; C4,2
<b>MEDIUM (100918)</b>	2345	1645	890	990	-	28	-	300	-	25	445	70(1x)	740	1780	1020	350	22	FARMA C4,6; C5,1; C5,3; C6,3
<b>FLAP-DOWN CAT 2 (100917)</b>	2785	1780 or 1940	880 or 640	985 or 945	-	28	-	300	-	25	395	70(3x)	595 or 580	1985	945 or 1100	340	22	FARMA C5,3; C6,3
<b>FLAP-DOWN CAT 2/3 (100937)</b>	3580	1655	770	945	1085	28	37	300	32	25	865	70(x2)	685	2225	880	685	22	FARMA C6,7; C7,0; C8,5

We reserve the right to alter specifications without prior notice. Figures for the measurements are only of illustrative purpose.